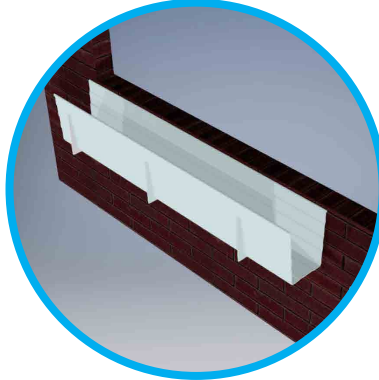


5. Box Specifications

5.1 Standard Box



Bracket for Watergutter
6 Pieces



Watergutter
2 Pieces



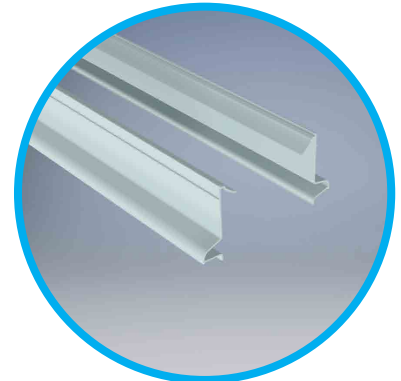
Coupling for Watergutter
2 Pieces



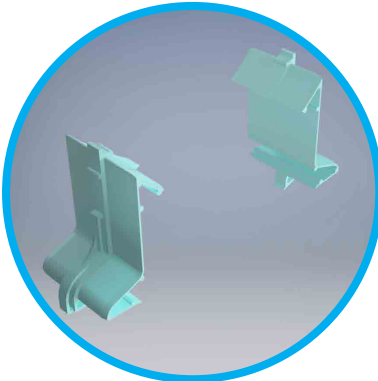
Pad Support
12 Pieces



Top Bracket
6 Pieces



Pad Guide
4 Pieces



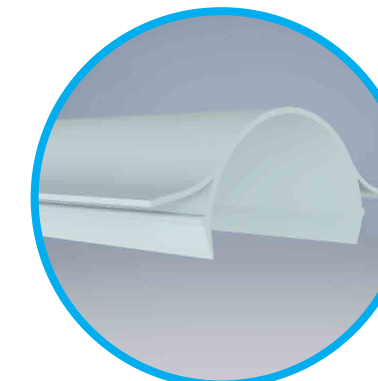
Pad Guide Coupler
4 Pieces



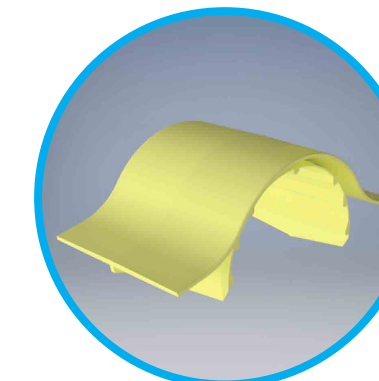
Distribution pipe with holes
2 Pieces



Pipe Connector
2 Pieces



Deflector
2 Pieces



Deflector Coupling
2 Pieces